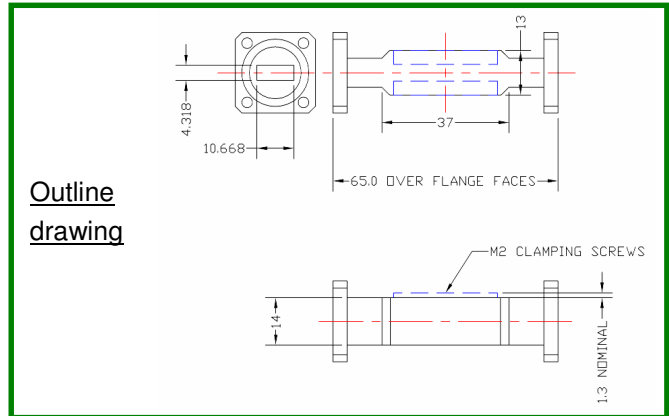




Web: <http://www.A1Microwave.com>
Email: sales@A1Microwave.com



Since 2001 A1 Microwave has brought high quality technically advanced microwave filtering products to the SATCOM market. Using sophisticated in-house design and simulation software, all new designs are "right first time" allowing the design to move from the computer to the machine shop without the need for prototyping. A1 Microwave's expertise is firmly rooted in the design and testing of microwave products and our founder has over 25 years experience in this area.



Ordering information :- Model number PB1587WN-PB/PB-B DBS-band Satcom TX Harmonic Reject Filter

Designed for DBS-band satcoms transmitter applications for suppressing unwanted transmitter harmonics.

Passband	17.7 to 21.3 GHz
Passband insertion loss	0.1 dB max
Passband group delay variation	1nS per 10 MHz max
Passband return loss	23 dB min, 25 dB typical
Rejection: 27.5 to 31 GHz	50 dB min, 70 dB typical
Overall length	65 mm nominal
Weight	90 grams max
Operating temperature range	-33 / +60 degrees C
Flanges	PBR 220 (see web site for alternative flanges and paint codes)

