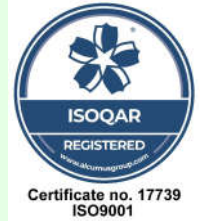


# A1 Microwave

Web: <http://www.A1Microwave.com>

Email: [A1sales@A1Microwave.com](mailto:A1sales@A1Microwave.com)

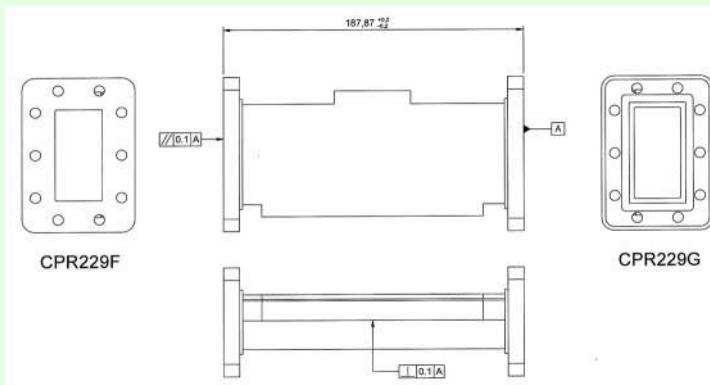


A1 Microwave is a leading designer and manufacturer of filters, diplexers, power combiners, couplers and adaptors for satcoms, telecoms, radar, medical and scientific applications.

A1 Microwave also provides standard and custom waveguide components and assemblies including : straights, bends, twists and flexibles.

A1 Microwave is ITAR free and provides a **Fast delivery and No NRE** (on standard designs) by using sophisticated in-house design and simulation software, all new **designs are "right first time"** allowing the design to move from the design computer to the machine shop without the need for prototyping. **Stock filters available for immediate despatch.**

A1 Microwave has full in house CNC machining, turning, brazing, hard and soft soldering and bending facilities.



## Ordering information :- Model number **PB2203WB-CF/CG-W** C-band Satcom Receiver Protection Filter

Designed to remove interference from 5G, WiMax, radar and other transmitters

**All parameters met over -10 to + 50 degrees C operating temperature range**

Passband	3.82 to 4.2 GHz	
Passband insertion loss	3.82 to 3.84 GHz	1.3 dB typical, 1.6 dB max
	3.84 to 4.2 GHz	0.9 dB typical, 1.0 dB max
Passband return loss		14 dB minimum
Passband group delay variation in any 1 MHz	3.82 to 3.84 GHz	3.5 nS typical
	3.84 to 4.2 GHz	1.45 nS typical
Rejection	DC to 3.72 GHz	70 dB min
	3.72 to 3.8 GHz	60 dB min
	4.23 to 5 GHz	25 dB min
	5 to 11 GHz	80 dB min
Overall length	7.4", 187.87 mm nominal	
Flanges	CPR 229 F and G (alternative flanges available)	
Paint	Two-Pack Epoxy White (alternative colours available)	

